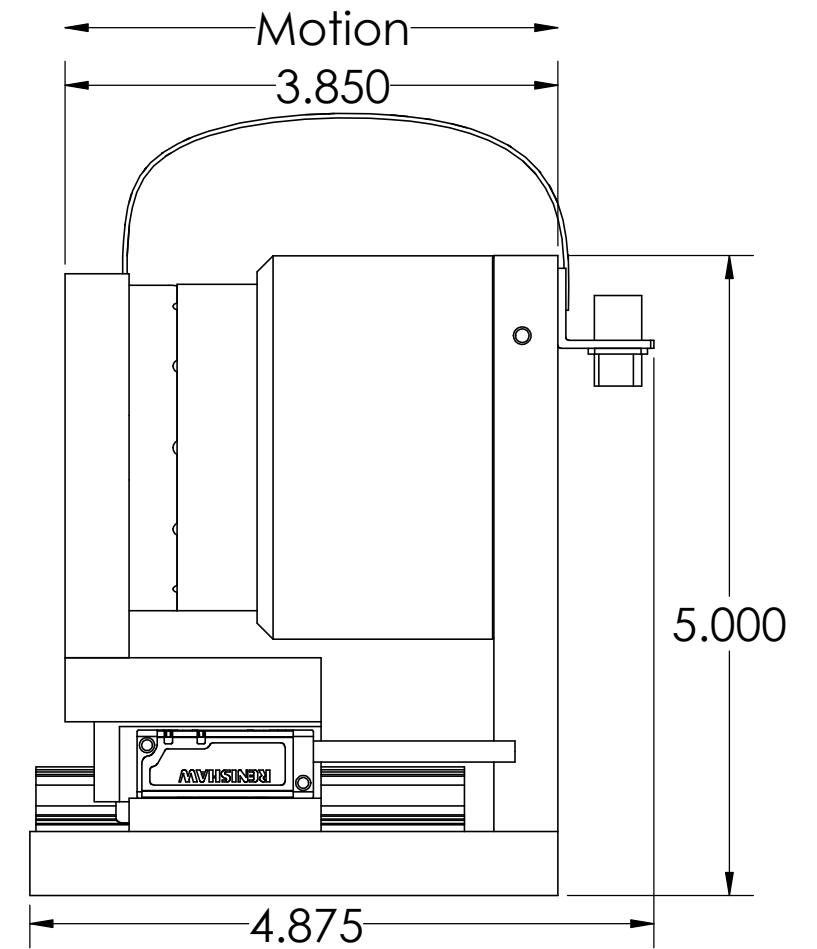
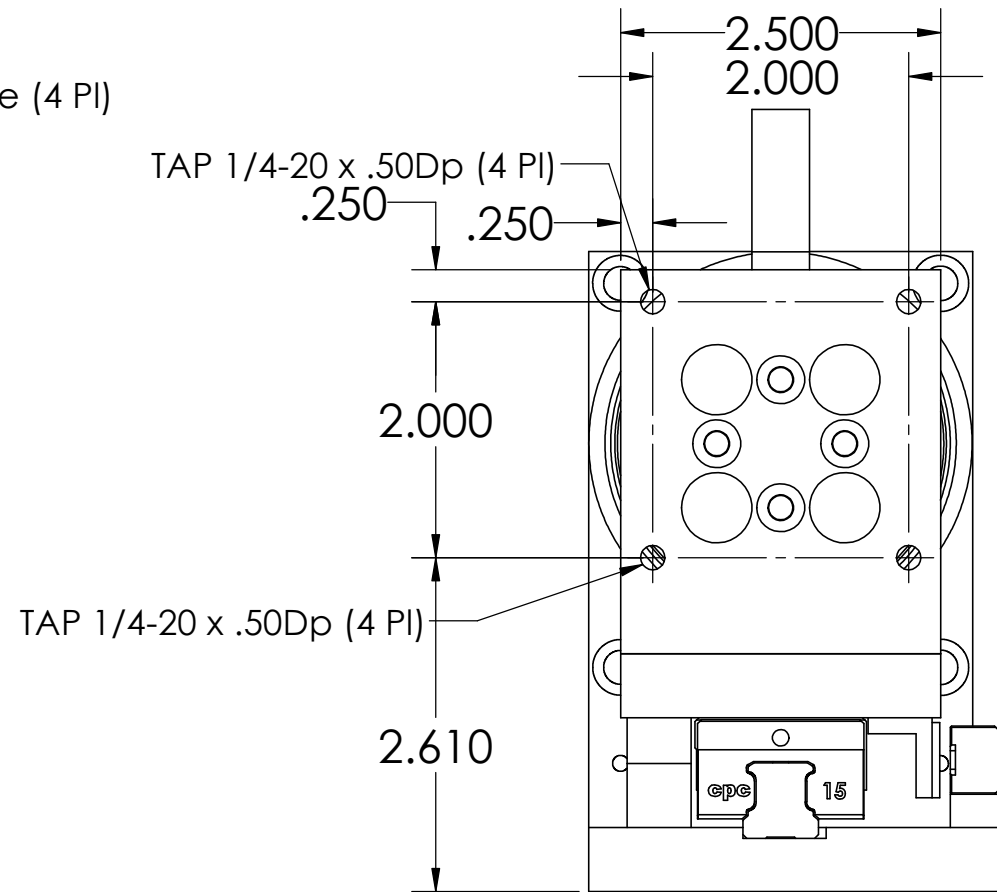
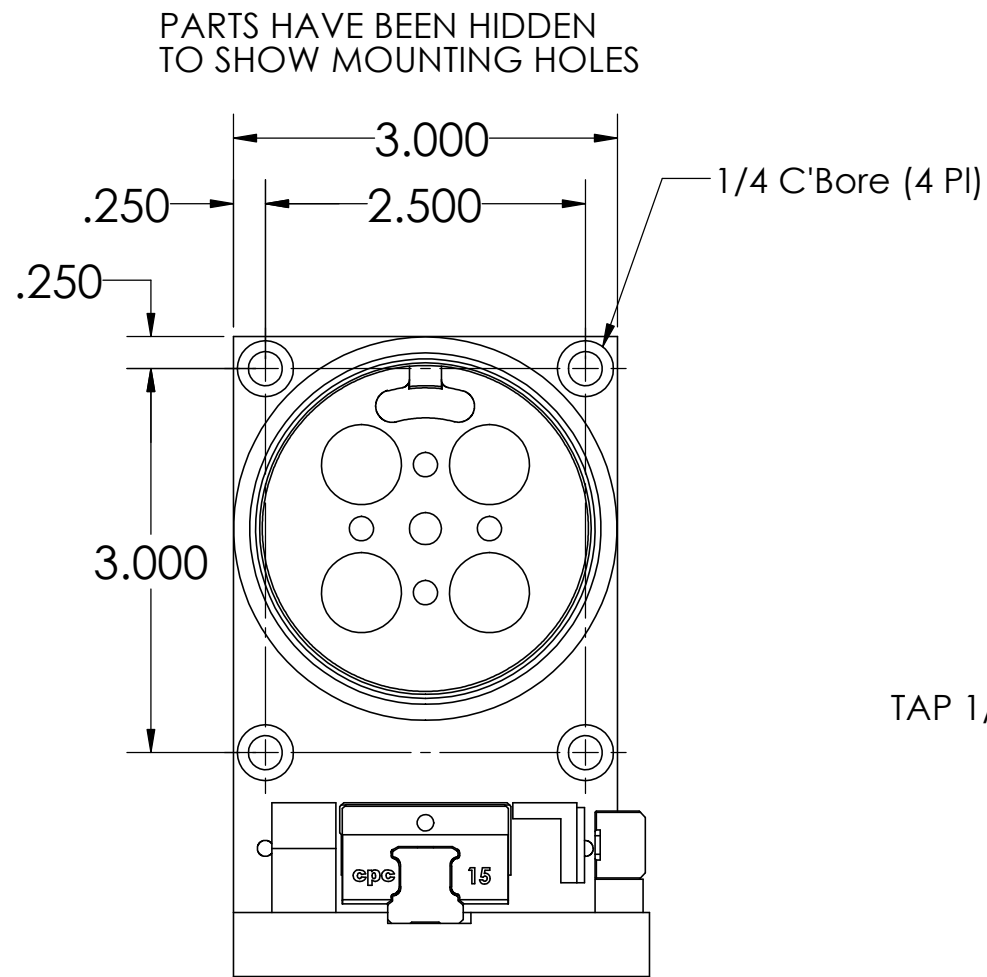
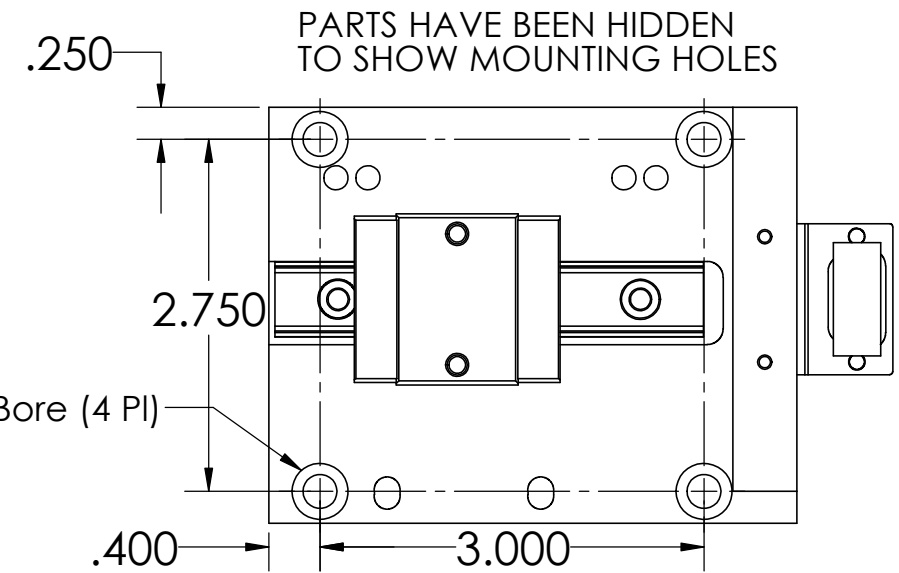


These drawings and specifications are the property of H2W Technologies, Inc. They are issued in confidence and shall not be reproduced, copied, or used without written permission from H2W Technologies, Inc.

REVISION TABLE						
REV	ECN#	DESCRIPTION	REV BY	APPROVED	DATE	
---	---	Original Drawing	OOG	MPW	7-30-19	

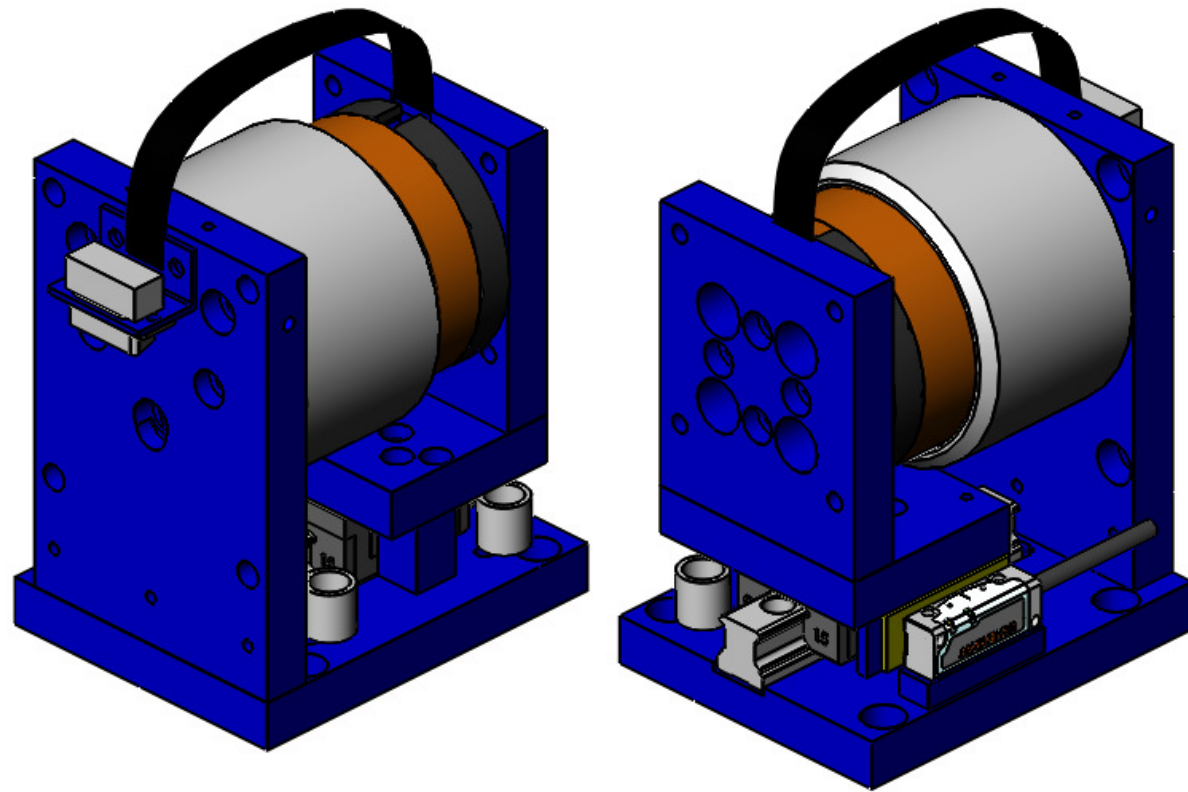


Motor Shown at Mid-Stroke

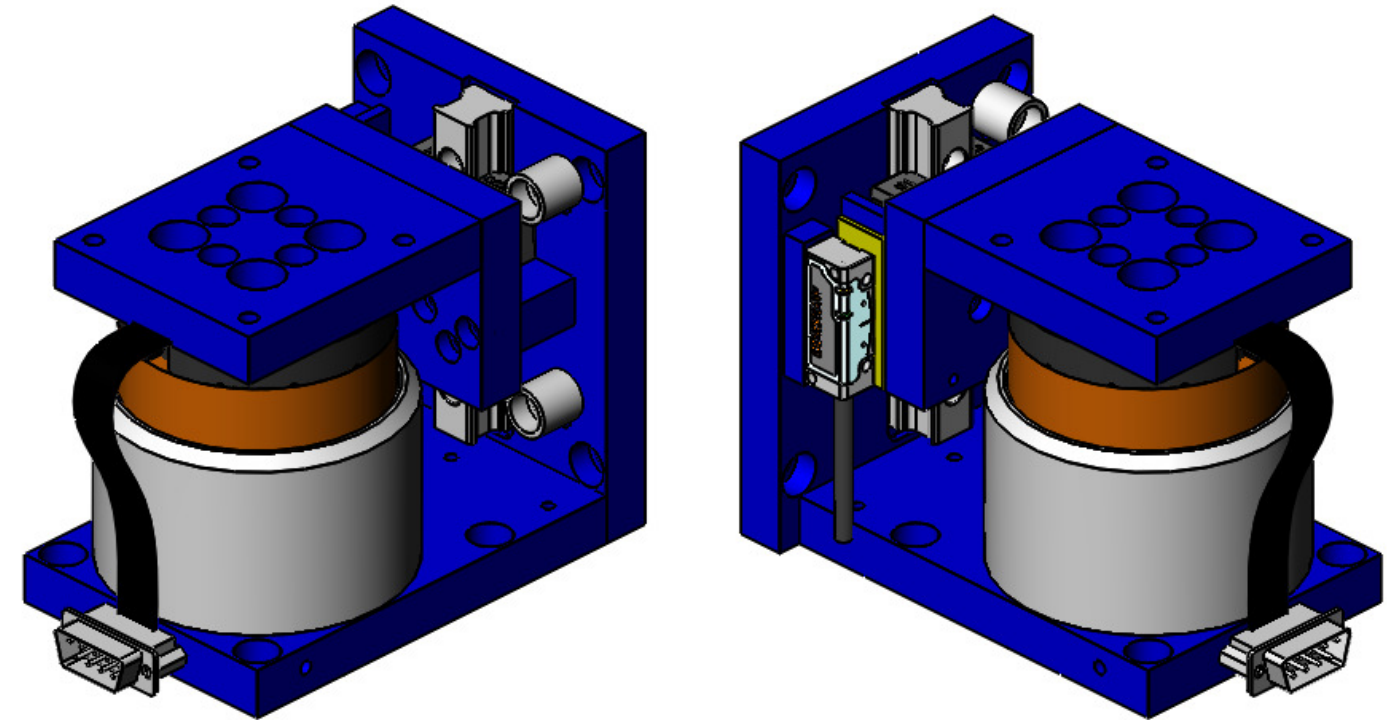
UNLESS SPECIFIED OTHERWISE: All dimensions are in inches Standard Tolerances are as follows .XXX ±.005 ANGLES ±1° .XX ±.010 FILLETS AND .X ±.020 CORNERS .010 Remove All Burrs and Sharp Edges				MATERIAL		TITLE	
FINISH				DRAWN		VOICE COIL POSITIONING STAGE Model #: VCS13-108-LB- 01TONDO-MC-5M	
DATE		APPROVED		DATE		DWG #	
OOG		MPW		7-30-19		31-0869	
REV		---		SHEET		1 of 3	

H2W Technologies, Inc.
26470 Ruether Ave #102 Santa Clarita, CA 91350 USA
Tel: (661) 251-2081 Fax: (661) 251-2067
www.h2wtech.com

Horizontal Configuration

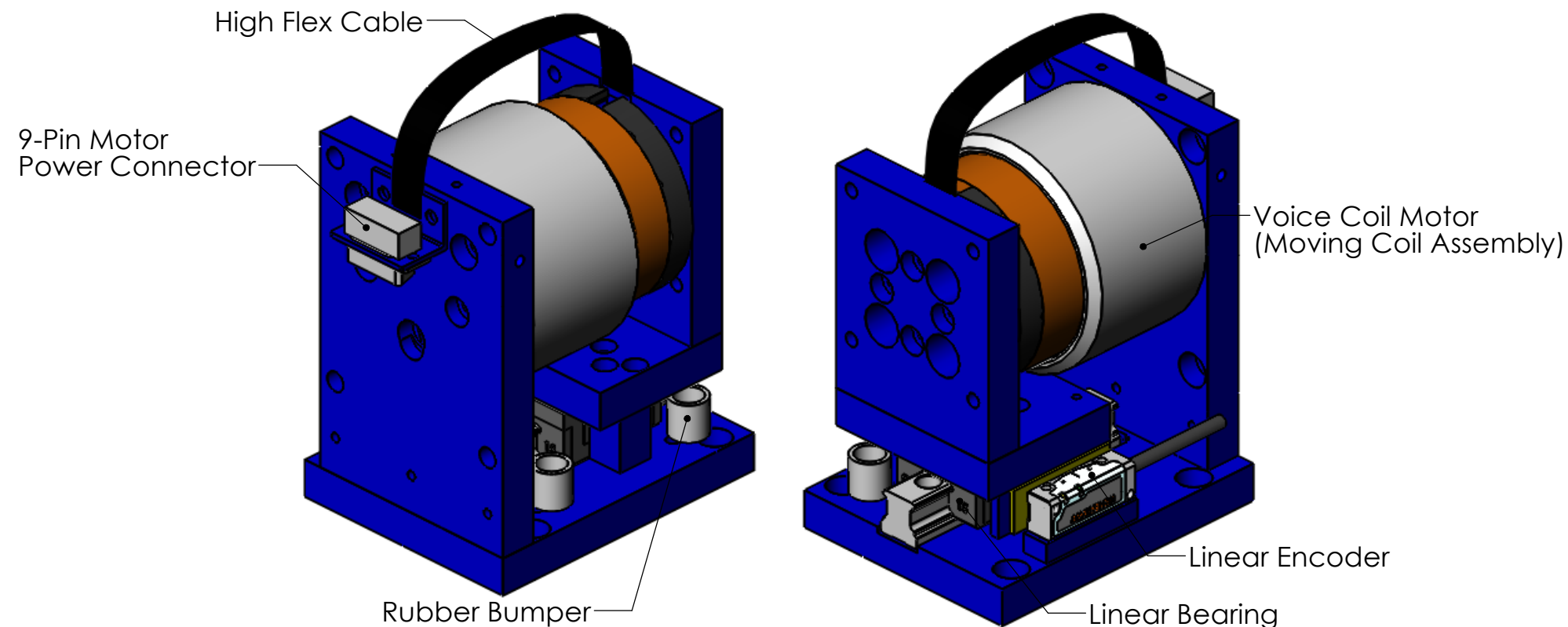


Vertical Configuration



These drawings and specifications are the property of H2W Technologies, Inc. They are issued in confidence and shall not be reproduced, copied, or used without written permission from H2W Technologies, Inc.

MOVING COIL NON-COMM ACTUATOR SPECIFICATIONS		
Motor P/N	NCC13-30-108-1H	
Stroke	1.25"	31.8 mm
Encoder Resolution	1 micron	
Bearing Type	Linear Bearing	
Moving Mass	1.50 lbs	418 grams
Total Mass	6.0 lbs	2.0 Kg
Resistance @ 20C	4.8 ohms	
Inductance @ 20C	4.1 mH	
Electrical Time Constant	0.9 msec	
Motor Constant	2.3 LBS/SQRT(Watt)	7.6 N/SQRT(Watt)
Force Constant	5.0 LBS/Amp	22.3 N/Amp
Back EMF	0.5 V/ips	22.3 V/m/sec
Continuous Force	10.8 LBS	48 N
Max Power @ 100% Duty	23 Watts	
Peak Force	32.4 LBS	144 N
Max Power @ 10% Duty	200 Watts	



TITLE	Voice Coil Positioning Stage Model #: VCS13-108-LB-01TONDO-MC-5M		
DWG #	31-0869	REV	---
		SHEET	3 of 3